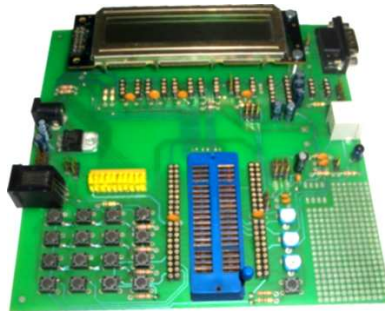


EPSICOM

Ready Prototyping

EP 0034



Proto PIC 2 PIC EVALUATION BOARD – V4

- Best-in-Class Pricing
- Fast delivery
- Expandable Design
- High Performance Design
- Manageability
- Easy Assembly Kit
- Interesting Configurations

Ideas for Small Business

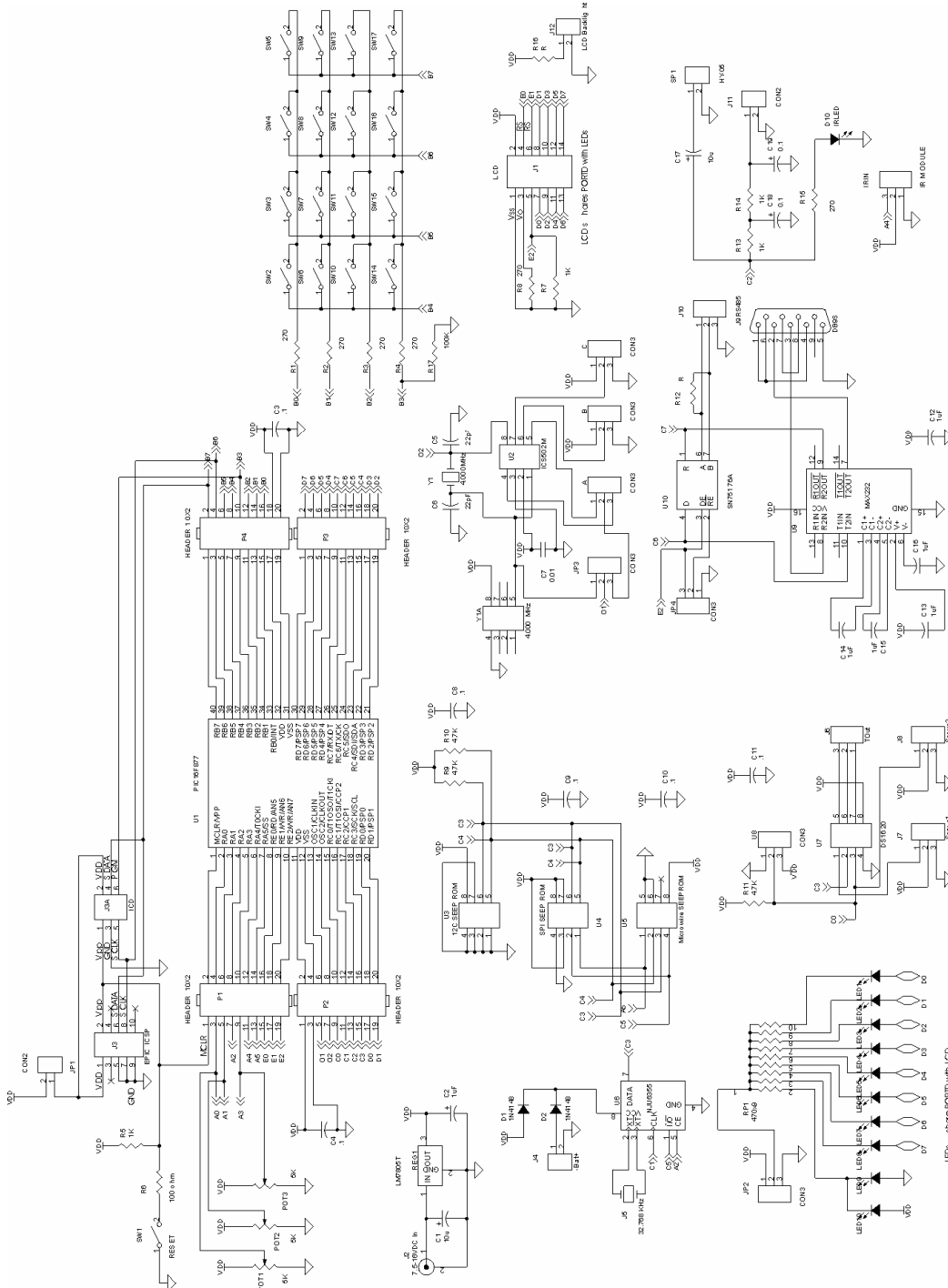
Training & Educational Kits

www.epsicom.com/kits
a division of **EPSICO Manufacturing**

Complet Board cu clock de 4MHz, 8MHz, 10MHz, 12MHz, 13.32MHz, 16MHz sau 20MHz.

Compatibil cu procesoare cu 40pini: **PIC16C64(A), 16C65(B), 16C662, 16C67, 16C74(AB), 16C765, 16C77, 16C774, 16F74, 16F747, 16F77, 16F777, 16F871, 16F874, 16F874A, 16F877, 16F877A, 16F914, 16F917, 18C442, 18C452, 18F4220, 18F4320, 18F4331, 18F4410, 18F442, 18F4420, 18F4431, 18F4439, 18F4455, 18F448, 18F4480, 18F4510, 18F4515, 18F452, 18F4520, 18F4525, 18F4539, 18F4550, 18F458, 18F4580, 18F4585, 18F4610, 18F4620, 18F4680** , recomandat **16F877A**

Schema electrica



EP 0034

Caracteristici:

- Constructie all OnBoard
- Alimentare 7.5-16V cc
- Oscilator 4 – 20 MHz
- Extensie EEPROM
- Thereshold intrari analogice
- LCD Display
- 10 Led-uri
- 16 taste
- ISP
- Comunicatie RS232
- Comunicatie RS485
- Transmisie IR
- Speaker
- Conector RJ12
- Conector Servo
- Acces direct porturi
- Zona de lucru suplim.

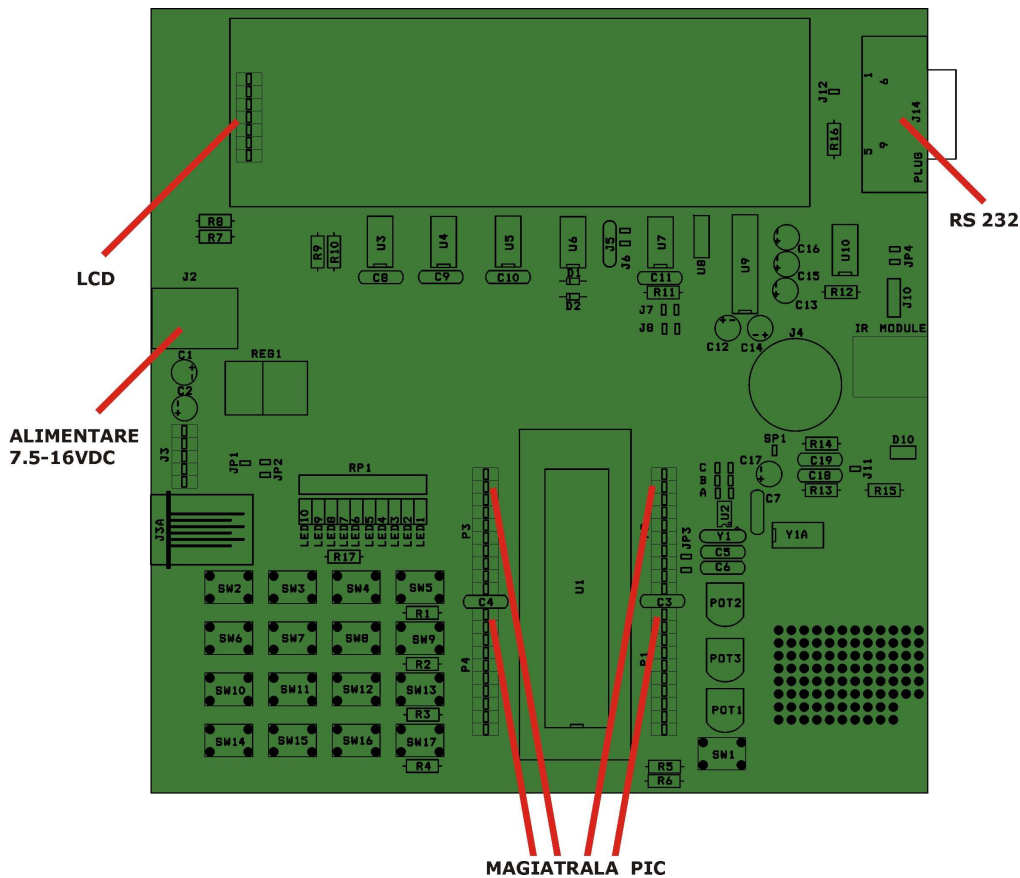
The Largest Collection of Educational Electronic Kits

The smart way to boost productivity

EPSICOM, Ltd.
 37 Sararilor Street
 200570 Craiova, Romania
 Mob: (+40) 743-377426
 Tel: (+40) 351-591001
 Fax: (+40) 351-595003

e-mail: office@epsicom.com

Amplasarea componentelor



Se recomanda startarea circuitului pentru familiarizare cu un program simplu de pe una din adresele:

1. <http://www.microengineeringlabs.com>
2. <http://www.techsystemembedded.com>
3. <http://www.microchip.com>
4. <http://melabs.com>