

EPSICOM

Ready Prototyping

EP 0074



22W AMPLIFIER

- Best-in-Class Pricing
- Fast delivery
- Expandable Design
- High Performance Design
- Manageability
- Easy Assembly Kit
- Interesting Configurations

Ideas for Small Business

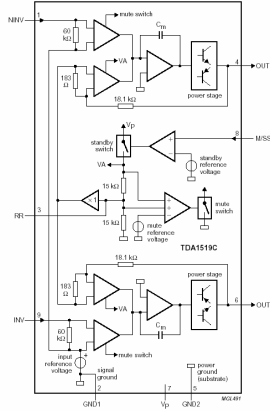
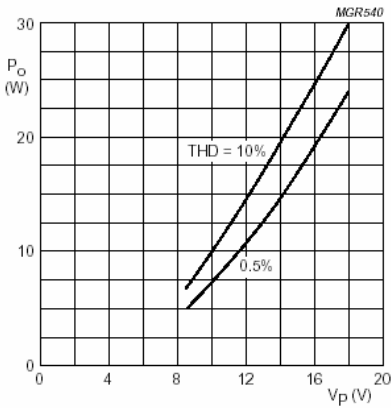
Training & Educational Kits

www.epsicom.com/kits
a division of **EPSICO Manufacturing**

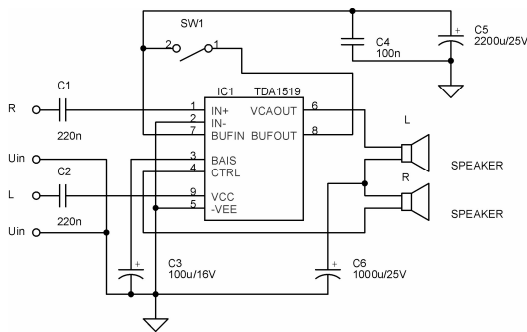
Functionare

TDA1519C este un produs al firmei Philips cu care se poate realiza cu minimum de componente un amplificator stereo 2x11W sau 22W mono. Alimentarea se face de la o sursa de tensiune de 6V-..17,5V cc.

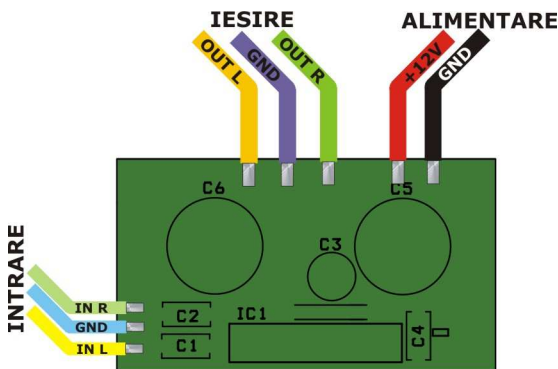
Date despre acest circuit le gasiti pe www.semiconductors.philips.com



Schema electrica



Amplasarea componentelor



Acest produs este livrat in varianta asamblata sau in varianta circuit imprimat+ componente in scopuri educationale si va fi insotit de documentatia completa de asamblare.

EP 0074

Caracteristici:

- Amplificare 40 dB
- Consum Standby 100 µA
- Impedanta intrare 60 KΩ

Aplicatii:

Amplificatoare auto, portavoce, alarme, interfoane, sonorizari in spatii mici.

The Largest Collection of Educational Electronic Kits

The smart way to boost productivity

EPSICOM, Ltd.

37 Sararilor Street
200570 Craiova, Romania
Mob: (+40) 743-377426
Tel: (+40) 351-591001
Fax: (+40) 351-595003

e-mail: office@epsicom.com