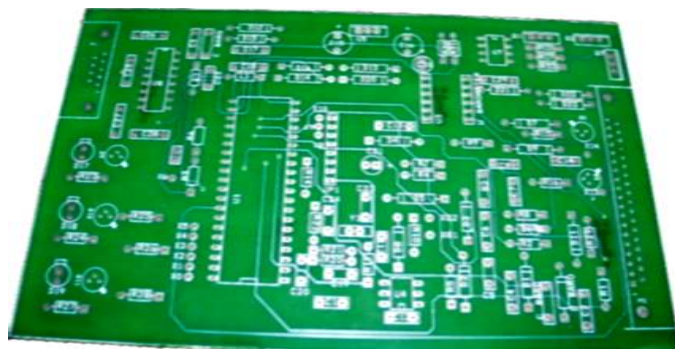


EPSICOM

Ready Prototyping

EP 0142



COMPUTER FUEL INJECTION MEGASQUIRT

- Best-in-Class Pricing
- Fast delivery
- Expandable Design
- High Performance Design
- Manageability
- Easy Assembly Kit
- Interesting Configurations

Training & Educational Kits

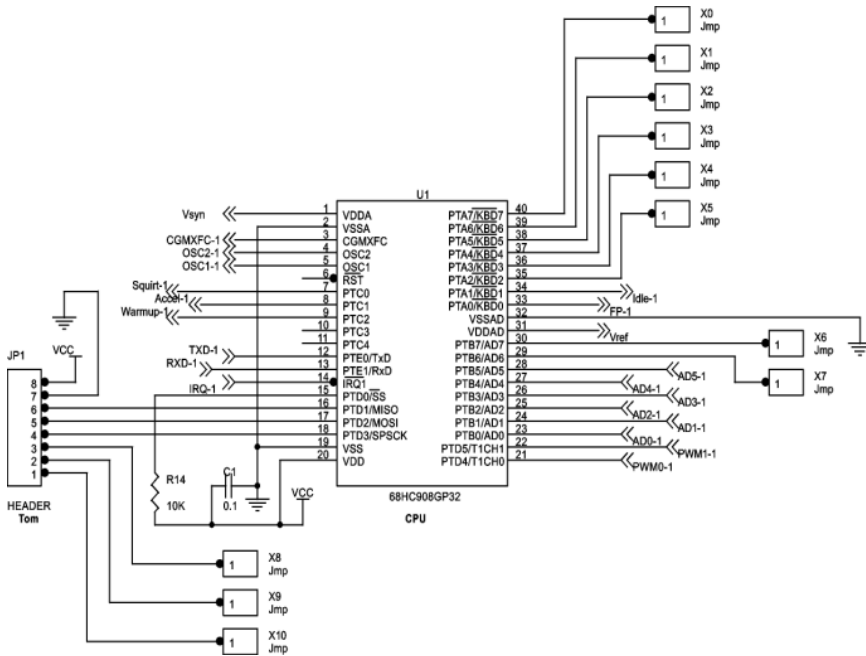
Ideas for Small Business

www.epsicom.com/kits
a division of **EPSICO Manufacturing**

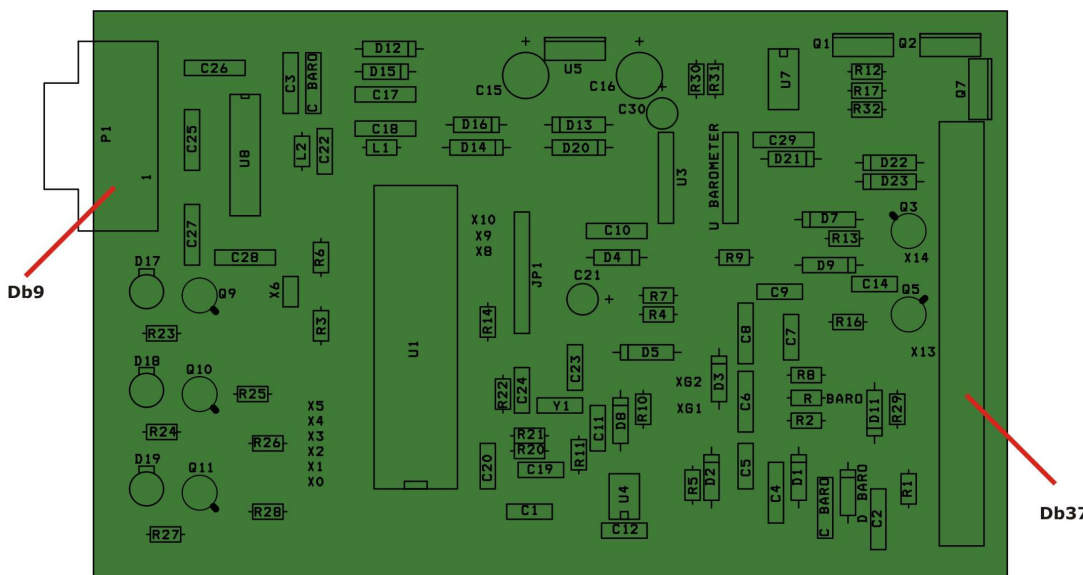
Vis-a-vis de acest exceptional proiect nu ne permitem sa facem decat o singura corectie la circuitul imprimat in sensul de a minimiza numarul trecerilor metalizate. Experienta a demonstrat ca, mai ales in medii cu diferente mari de temperatura si vibratii, trecerile metalizate cedeaza in timp. Fiind vorba in acest caz de un computer auto care necesita siguranta, fiabilitate in timp, ne-am permis sa optimizam circuitul astfel la care, in plus, propunem ca realizarea trecerilor ramase sa fie facuta prin lipire.

Restul detaliilor le gasiti pe <http://www.bgsoflex.com/megasquirt.html>

Schema electrica



Amplasarea componentelor



- MGASQUIRT V2.2

The Largest Collection of Educational Electronic Kits

The smart way to boost productivity

EPSICOM, Ltd.

37 Sararilor Street
200570 Craiova, Romania
Mob: (+40) 743-377426
Tel: (+40) 351-591001
Fax: (+40) 351-595003

e-mail: office@epsicom.com

